

# 306 Remote Head

Delivering High Quality Movements



## 306 Remote Head - Stability and Reliability as expected

The perfectly balanced Head, adjusted for the use of wider ENG type Cameras, this Head compliments our current line of Heads including: The world's well known HotHead, HotShot, MiniShot, MicroShot, and of course, our Scanner Elite Head.

The 306 is a compact and completely nodal Remote Head with a load capacity of up to 35 kg | 77 lbs.

The 306 Head is very fast and offers the smooth response, precision and reliability that Egripment heads are known for.

With the optional Encoders, the 306/ENC in combination with the Egripment Tracking Interface, is ready for the highest demands of Virtual & Augmented Reality.

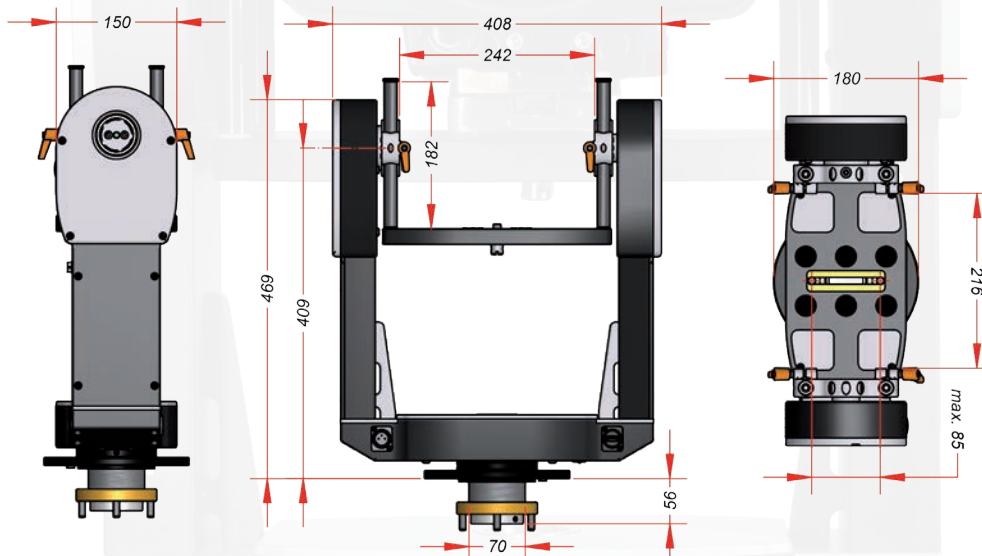
# 306 Remote Head

Delivering High Quality Movements



<b>Specifications</b>	<b>Art.: 306</b>	
<b>Height:</b>	46.9 cm	18.46 inch
<b>Width:</b>	40.8 cm	16.06 inch
<b>Depth:</b>	18.0 cm	7.08 inch
<b>Weight:</b>	13.5 kg	29.76 lbs
<b>Load capacity*:</b>	35 kg	77 lbs
<b>Voltage:</b>	24 V DC	24 V DC
<b>Min Speed:</b>	360 ° in 48 min	
<b>Max Speed:</b>	360 ° in 3 sec	
<b>additional Specifications</b>	<b>Art.: 306/ENC</b>	
<b>Pan/Tilt Encoder Resolution</b>	1.490.944 Counts/Rev	

\* depending on camera setup and package | All data are subject to change without notification.



**EGRIPMENT**  
CAMERA SUPPORT

**EGRIPMENT B.V.**

Machineweg 22, 1394 AV Nederhorst den Berg, Holland  
Phone: +31 294 253988, holland@egripment.com

**EGRIPMENT Deutschland GmbH**

Immendorfer Straße 1, 50354 Hürth, Deutschland  
Phone: +49 2233 6877-0, germany@egripment.com

**EGRIPMENT U.S.A.**

Phone: +1 (715) 386-0777, usa@egripment.com

[www.egripment.com](http://www.egripment.com)



REV02012020

EGRIPMENT CAMERA SUPPORT