

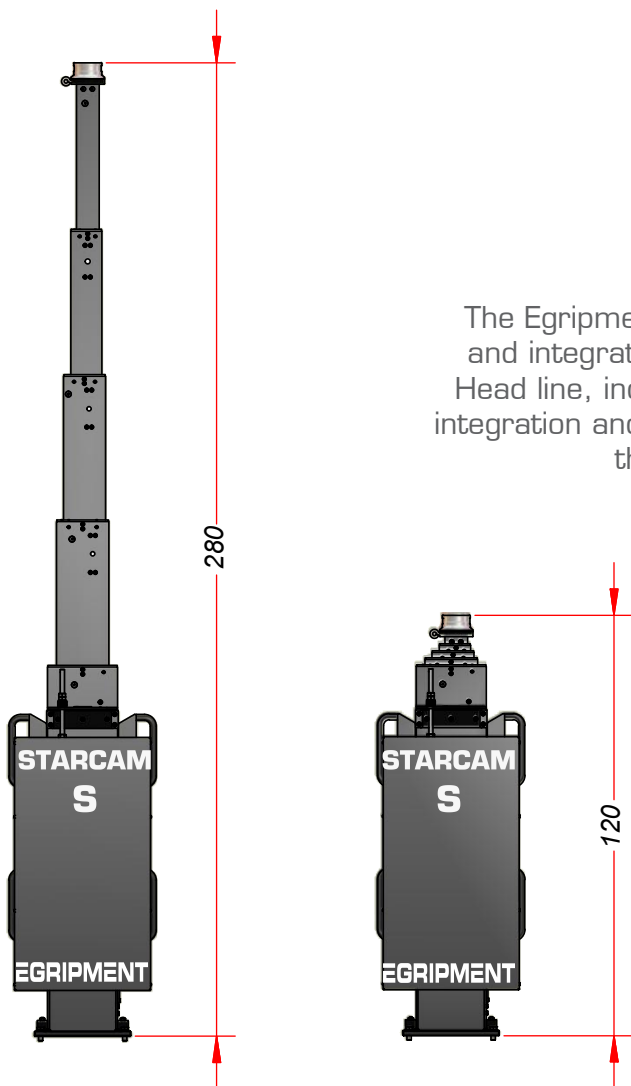
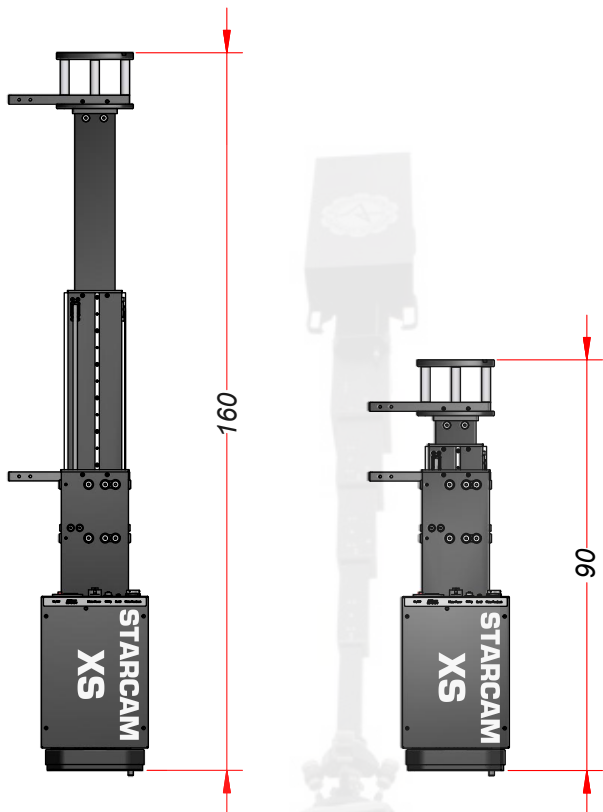
STARCAM TOWERCAM

fully IP-based control

Egripment's Starcam Towercam is very easy and quick to mount in every location, no matter if it stands upright, on a dolly, a flat plate, or hanging upside down from the ceiling truss - simply at almost any position.

Specifications	Starcam XS	
Min Height:	0.90 m	2.90 ft
Max Height:	1.60 m	5.25 ft
Travel:	0.70 m	2.35 ft
Weight:	30 kg	66 lbs
Load capacity upright:	45 kg	99 lbs
Load capacity hanging:	45 kg	99 lbs
Control:	IP with presets	

All data are subject to change without notification.



The Egripment Starcam Tower lineup is IP based in its control and integrates seamlessly into the Egripment DigiLite Remote Head line, including the 306 or the new HotHead 3. Seamless integration and fully integrated preset and assign features make the Towers the most versatile setup in the market.

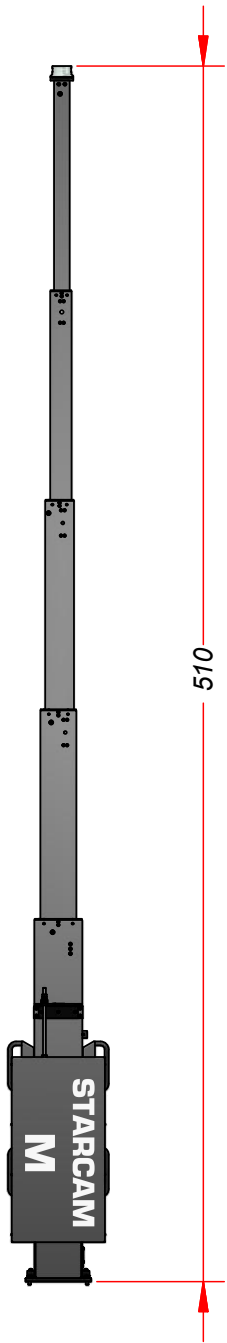
Specifications	Starcam SMALL	
Min Height:	1.20 m	3.90 ft
Max Height:	2.80 m	9.20 ft
Travel:	1.60 m	5.30 ft
Weight:	80 kg	176 lbs
Load capacity upright:	75 kg	165 lbs
Load capacity hanging:	60 kg	132 lbs
Control:	IP with presets	

All data are subject to change without notification.

STARCAM TOWERCAM

fully IP-based control

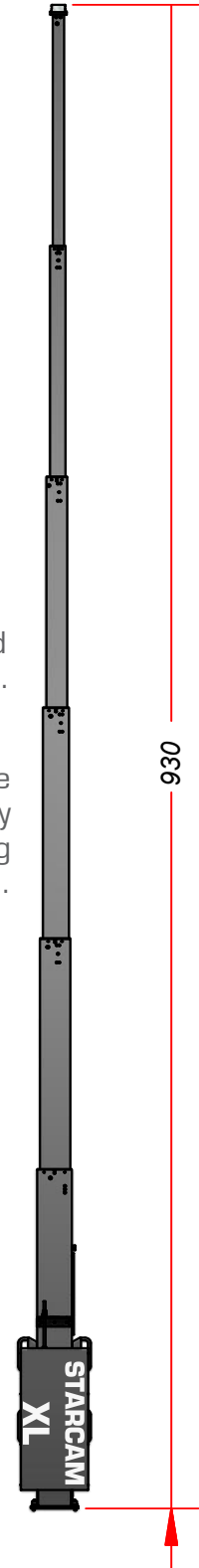
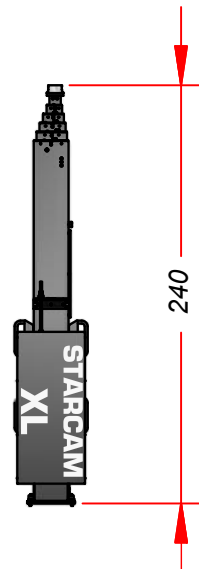
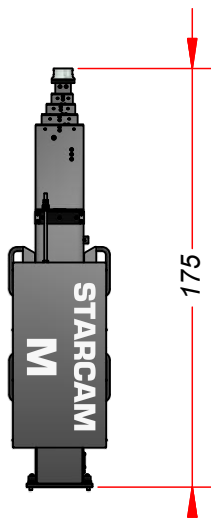
EGRIPMENT CAMERA SUPPORT



Specifications	Starcam MEDIUM	
Min Height:	1.75 m	5.70 ft
Max Height:	5.10 m	16.70 ft
Travel:	3.35 m	11.00 ft
Weight:	95 kg	209 lbs
Load capacity upright:	75 kg	165 lbs
Load capacity hanging:	60 kg	132 lbs
Control:	IP with presets	

The Egripment Starcam Towercam can be used in a “stand alone” situation, as well as being part of a Multicontrol set up.

The stand alone Starcams and its IP based control give countless options. Whether running via fiber or easy over IP-Trunks of modern broadcast cameras; cabling is drastically reduced.



Features:

- o fully ip-based control
- o running via fiber or IP trunk camera
- o integrated presets for starcam towercam and remote heads
- o multi control takes multiple starcam towers
- o floor or ceiling mount

Specifications	Starcam XL	
Min Height:	2.40 m	7.90 ft
Max Height:	9.30 m	30.60 ft
Travel:	6.90 m	22.70 ft
Weight:	135 kg	297 lbs
Load capacity upright:	75 kg	165 lbs
Load capacity hanging:	60 kg	132 lbs
Control:	IP with presets	

All data are subject to change without notification.