

301 Remote Head

Egripment's natural progression
in Remote Head design



Delivering High Quality Movements

The Egripment 301 Remote Camera Head is our latest Head in the extensive line of Egripment Remote Camera Heads.

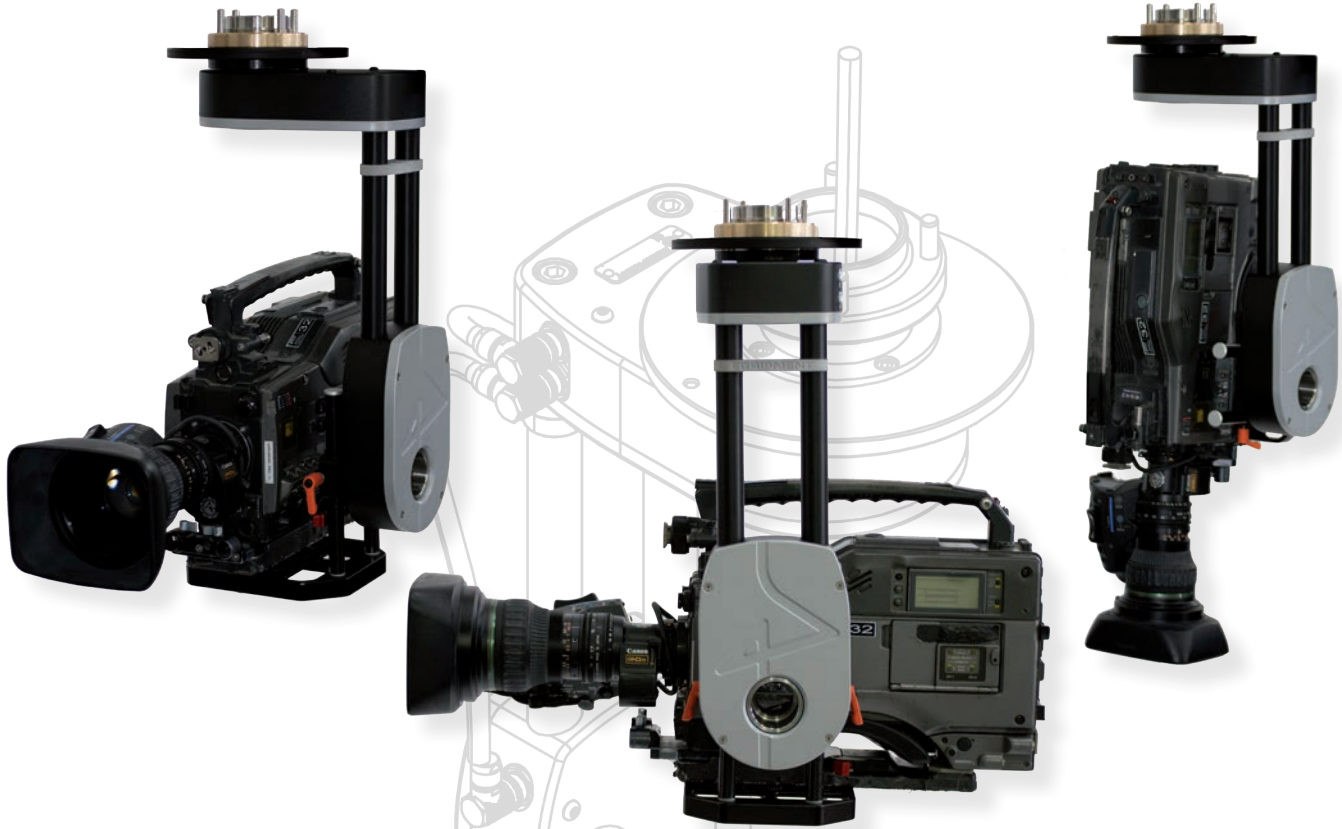
The 301Remote Head has all of the features which have become the Trademark of Egripment Remote Heads.

It is strong, Responsive, Easy to use, and has an incredible Smoothness of Movement. These features include functions such as Speed adjustments for Pan, Tilt and Zoom, Reverse switches for Pan, Tilt, Zoom and Focus, adjustable Electronic Dampening System (EDS) to ensure a smooth start and stop.

We offer you a choice to operate the Egripment 301Remote Head from the back of the Crane Arm or from a separate Table support.

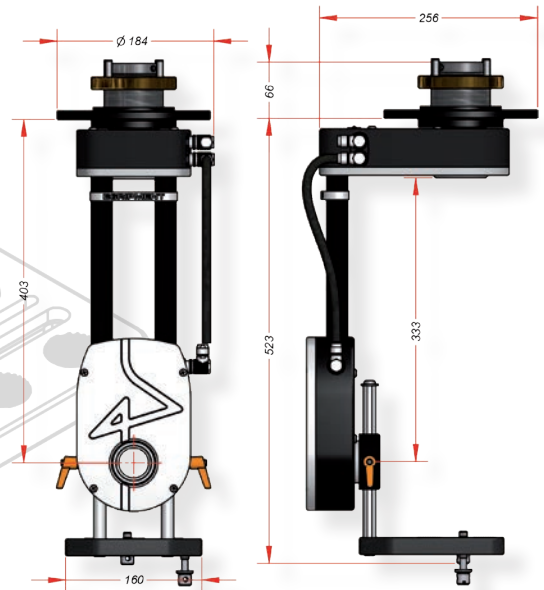
Between the controls for Pan, Tilt, Zoom and Focus you will find the Electronic Control Unit of the head, from which the operator can easily control and adjust all of the functions of the Egripment 301 Remote Head.

301 Remote Head



Specifications	Art.: 301	
Height:	47.0 cm	18.5 inch
Tilt Axle Height:	41.3 cm	16.25 inch
Width:	16.6 cm	6.5 inch
Depth:	18.0 cm	7.1 inch
Weight:	8.5 kg	18.75 lbs
Load capacity:	15 kg	33 lbs
Min Speed:	360 ° in 48 min	
Max Speed:	360 ° in 3 sec	
Voltage:	24 V DC 30 Watt	
Control Input:	12p Hirose	
Lens Control:	Analog	
End Stops:	Safety Stop by default	
Mount & Fixing:	Mitchell, Euro coupling, Wall, Flat base, custom	

All data are subject to change without notification.



EGRIPMENT
CAMERA SUPPORT

EGRIPMENT B.V.

Machineweg 22, 1394 AV Nederhorst den Berg, Holland
Phone: +31 294 253988, holland@egripment.com

EGRIPMENT Deutschland GmbH

Immendorfer Straße 1, 50354 Hürth, Deutschland
Phone: +49 2233 6877-0, germany@egripment.com

EGRIPMENT U.S.A.

Phone: +1 (715) 386-0777, usa@egripment.com

www.egripment.com



REV02012020

EGRIPMENT CAMERA SUPPORT