

306 Remote Head

Delivering High Quality Movements



306 Remote Head - Stability and Reliability as expected

The perfectly balanced Head, adjusted for the use of wider ENG type Cameras, this Head compliments our current line of Heads including: The world's well known HotHead, HotShot, MiniShot, MicroShot, and of course, our Scanner Elite Head.

The 306 is a compact and completely nodal Remote Head with a load capacity of 15 kg | 33 lbs.

The 306 Head is very fast and offers the smooth response, precision and reliability that Egripment heads are known for.

With the optional Encoders, the 306/ENC in combination with the Egripment Tracking Interface, is ready for the highest demands of Virtual & Augmented Reality.



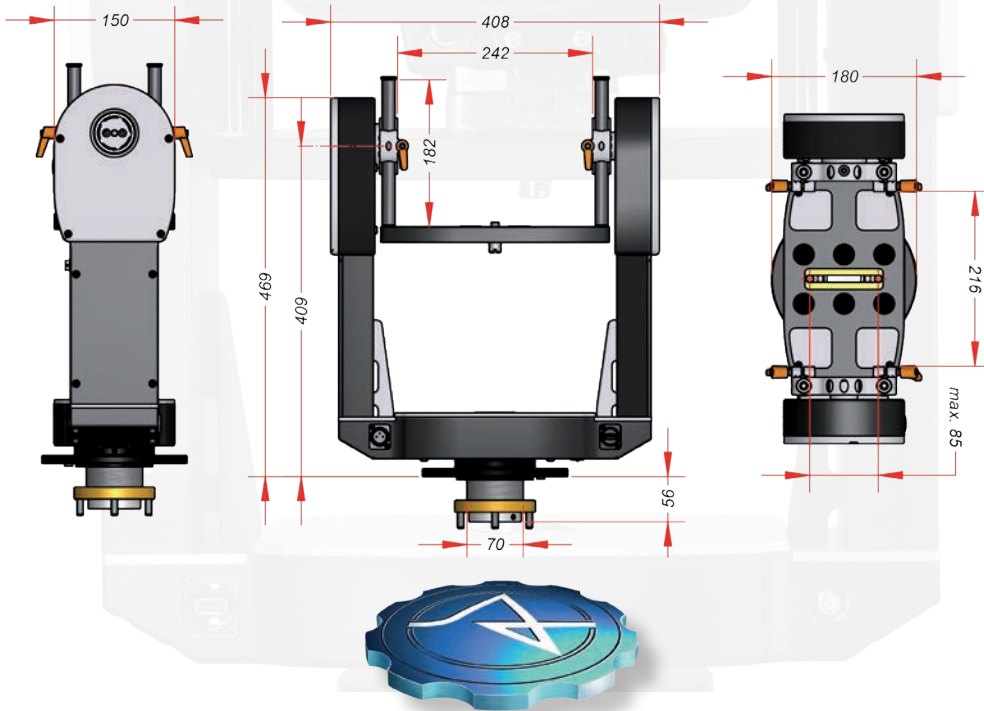
306 Remote Head

Delivering High Quality Movements



Specifications	Art.: 306	
Height:	46.9 cm	18.46 inch
Width:	40.8 cm	16.06 inch
Depth:	18.0 cm	7.08 inch
Weight:	13.5 kg	29.76 lbs
Load capacity:	15 kg	33 lbs
Voltage:	24 V DC	24 V DC
Min Speed:	360 ° in 48 min	
Max Speed:	360 ° in 3 sec	
additional Specifications	Art.: 306/ENC	
Pan/Tilt Encoder Resolution	1.490.944 Counts/Rev	

All data are subject to change without notification.



EGRIPMENT SUPPORT SYSTEMS

EGRIPMENT B.V.

Machineweg 22, 1394 AV Nederhorst den Berg, Holland
Phone: +31 294 253988, Fax: +31 294 254658, sales@egripment.nl

EGRIPMENT Deutschland GmbH

Immendorfer Straße 1, 50354 Hürth, Deutschland
Phone: +49 2233 6877-0, Fax: +49 2233 6877-11, egripment@egripment.de

EGRIPMENT U.S.A. Inc.

201 Center Park Drive, Suite 1010, Knoxville, TN 37922 USA
Phone: +1 (865) 357-7535, Fax: +1 (865) 357-7536, egripment@egripment.com



REV161016

www.egripment.com

EGRIPMENT SUPPORT SYSTEMS